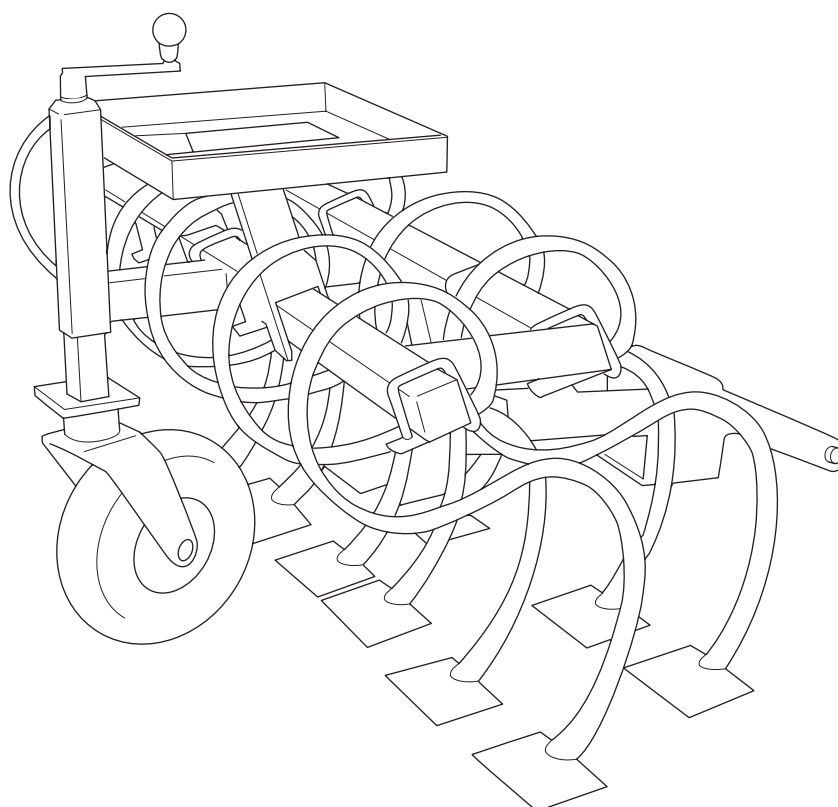


# User manual

# Gravel Harrow

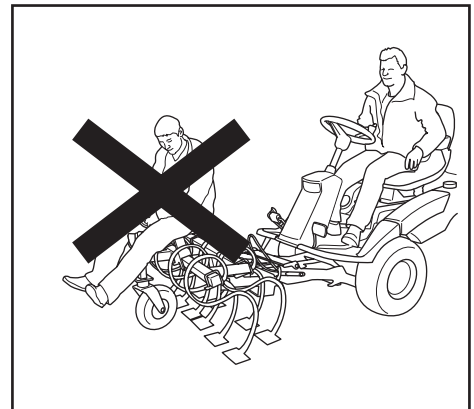
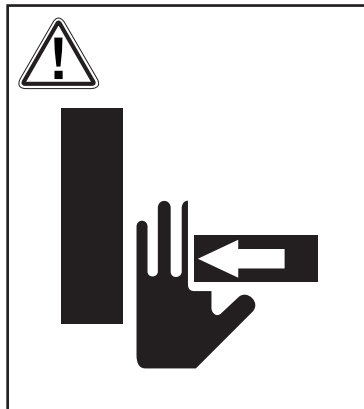
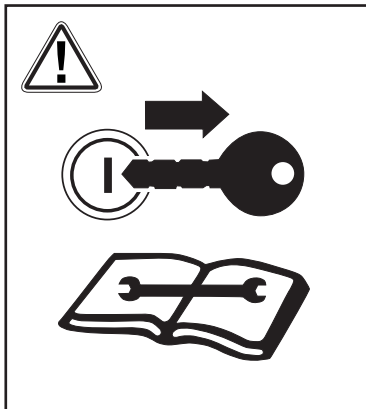
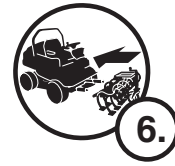
587 93 20-01

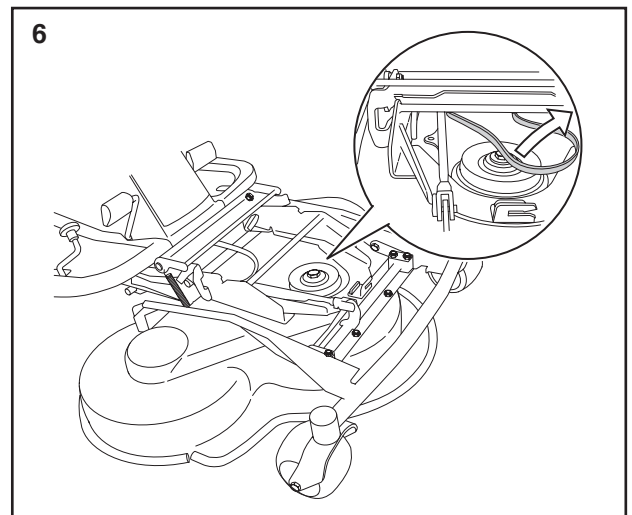
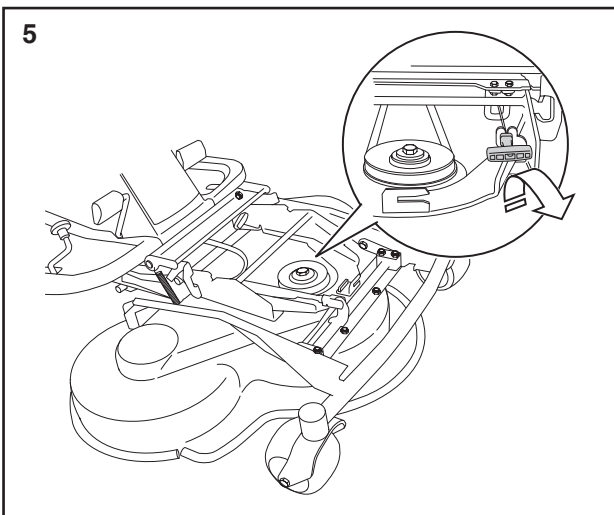
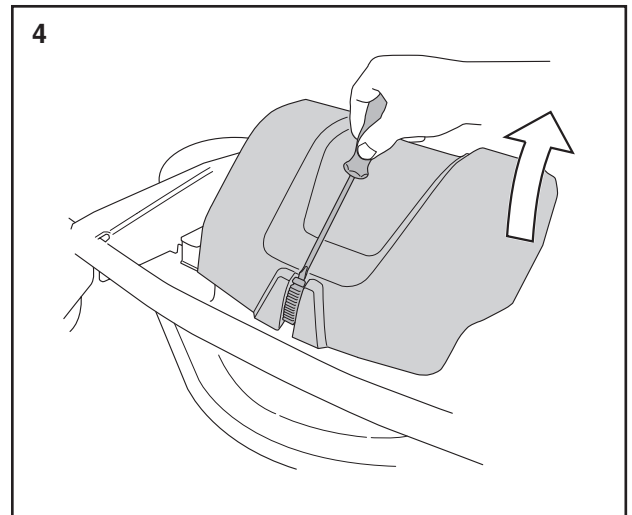
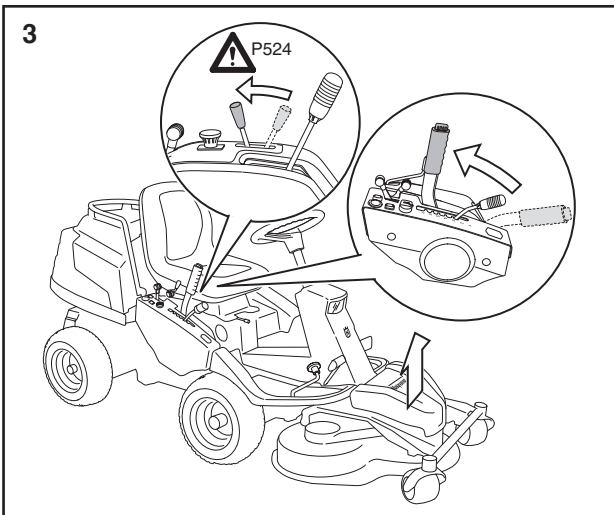
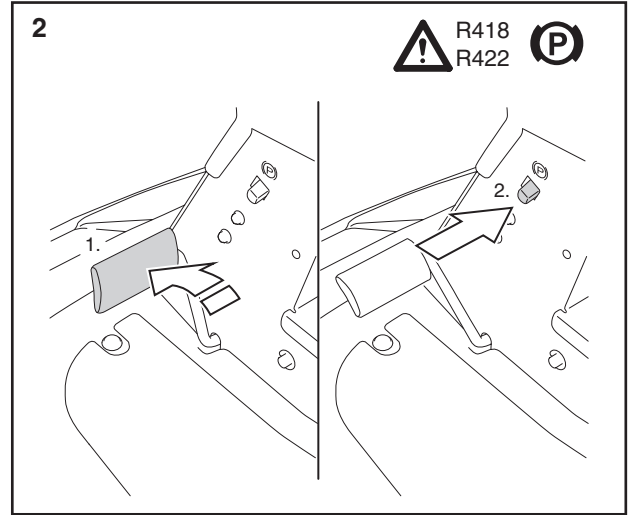
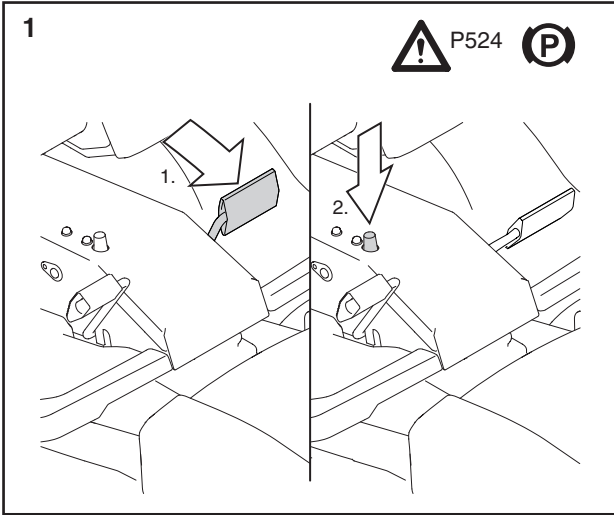
**Go through the user manual carefully before using this product**

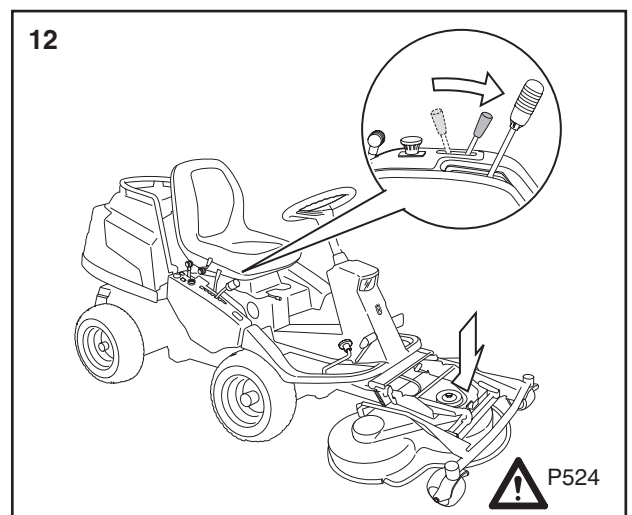
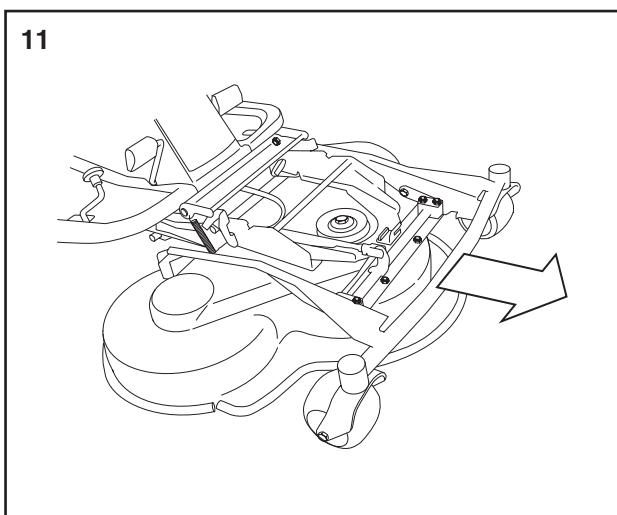
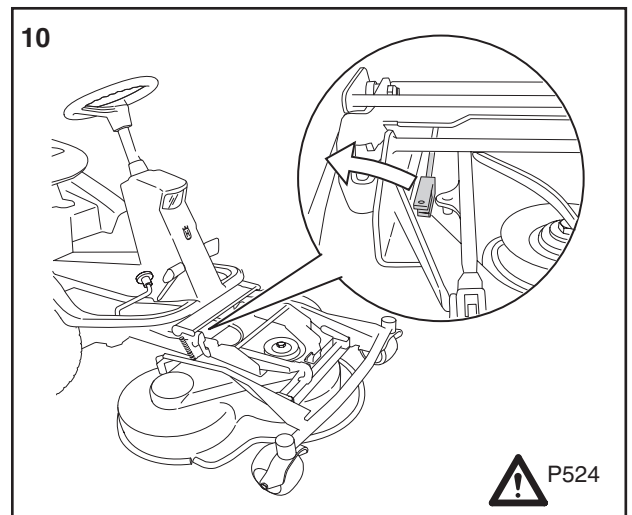
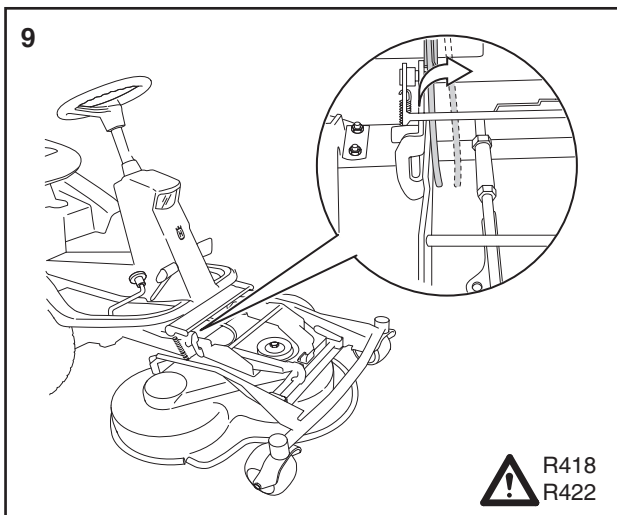
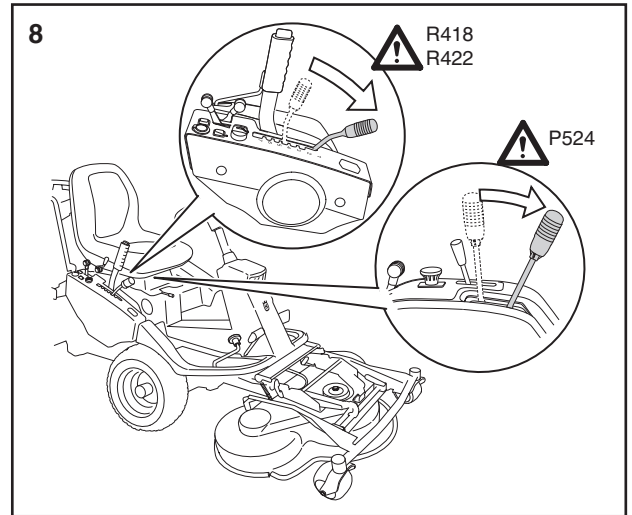
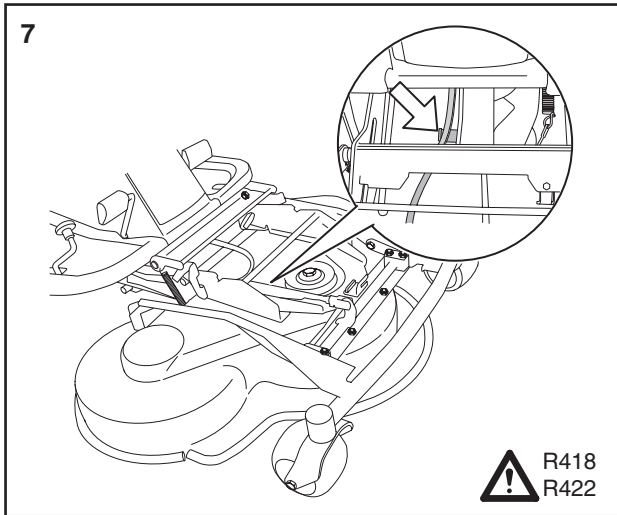


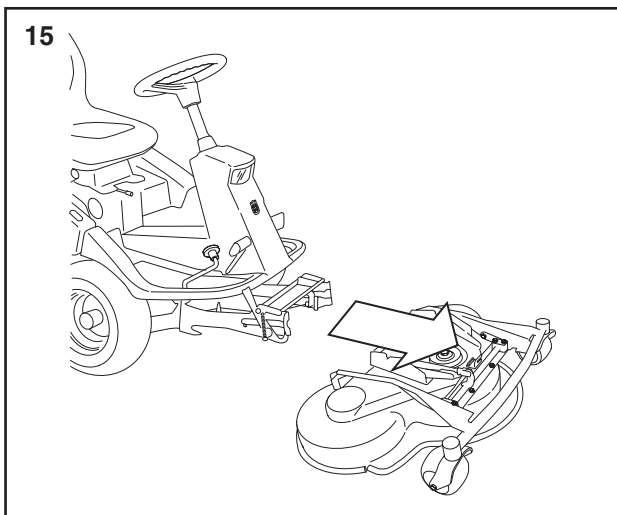
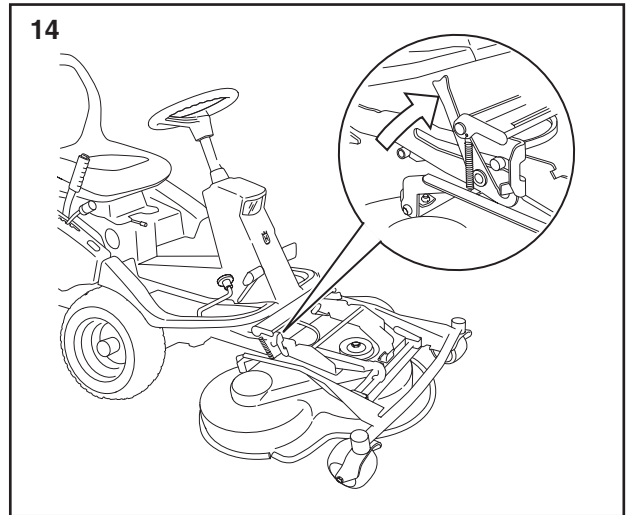
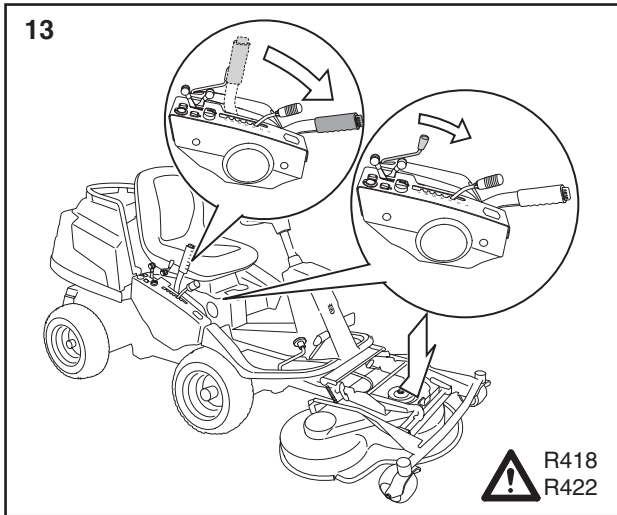
587 93 20-01

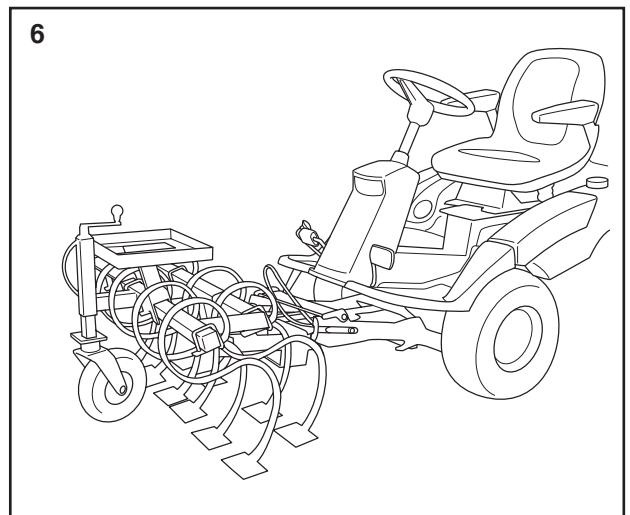
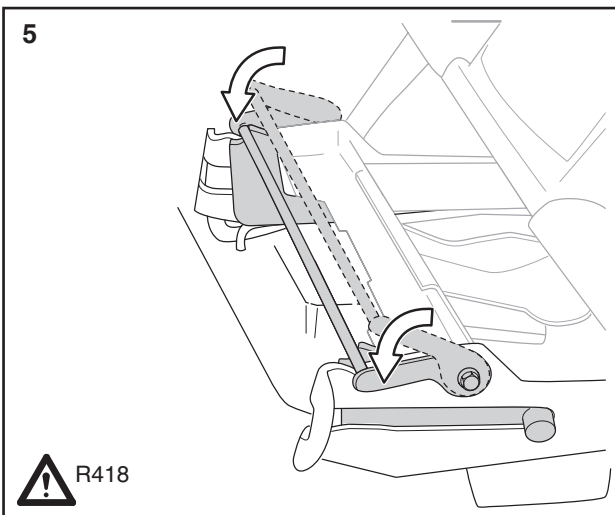
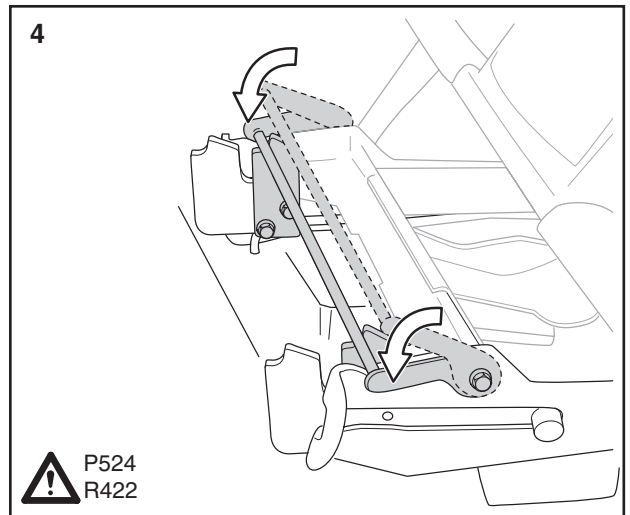
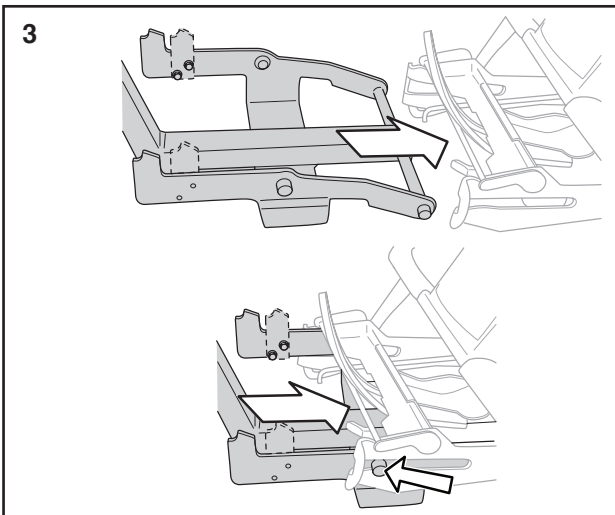
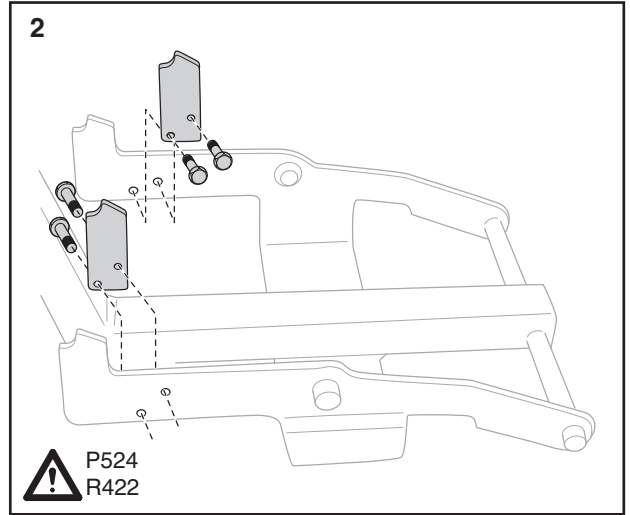
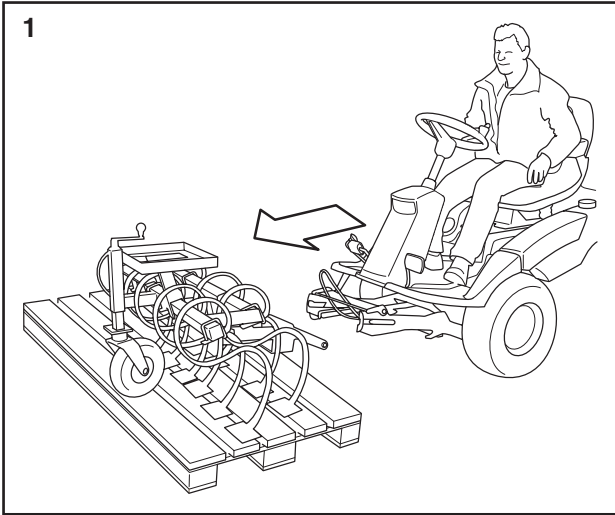
P. Olssons i Linderöd AB

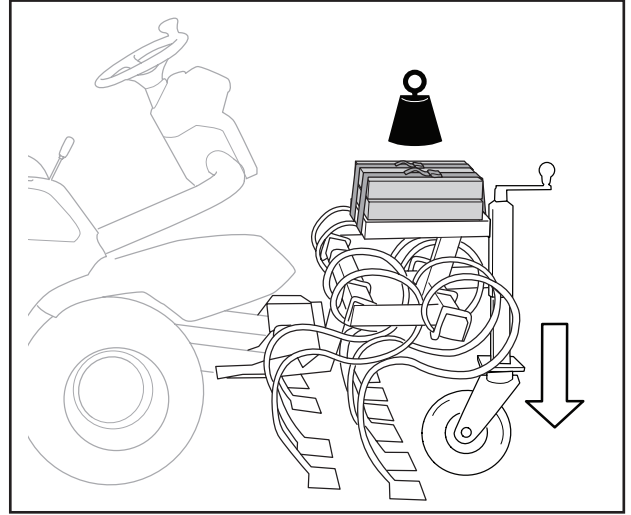
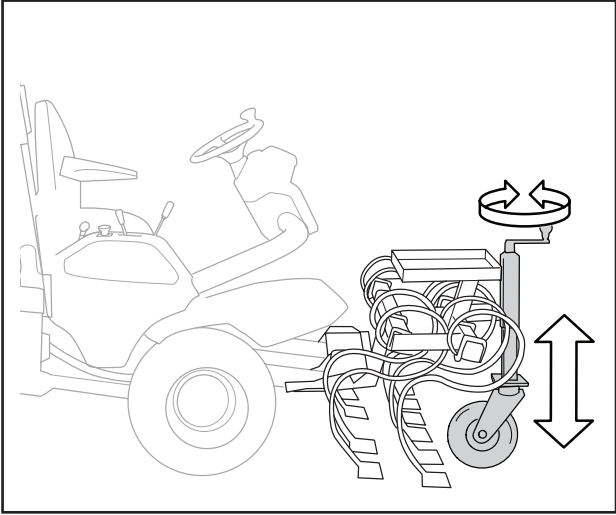


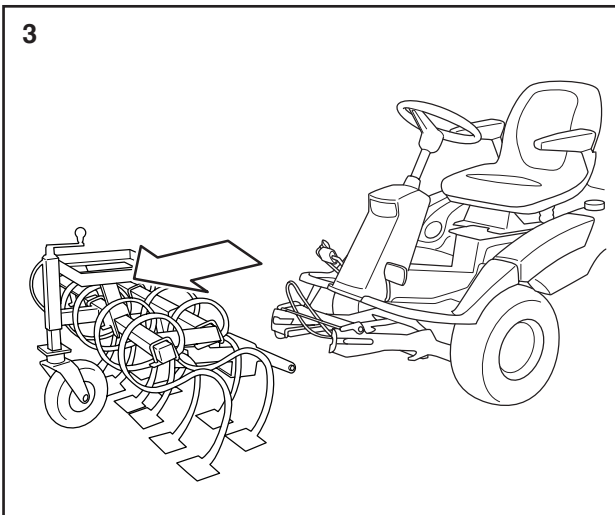
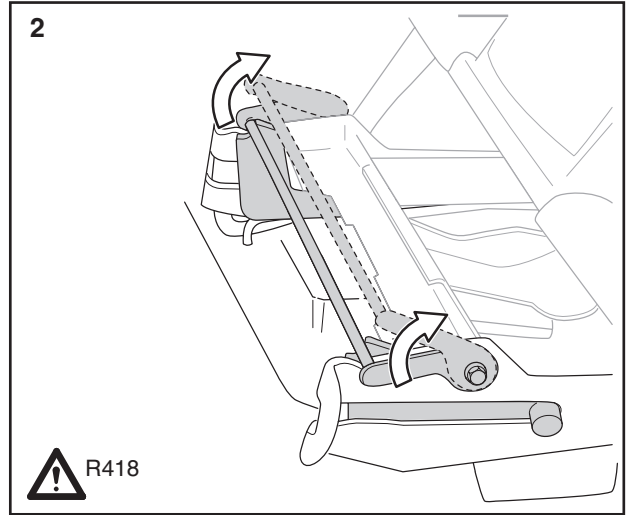
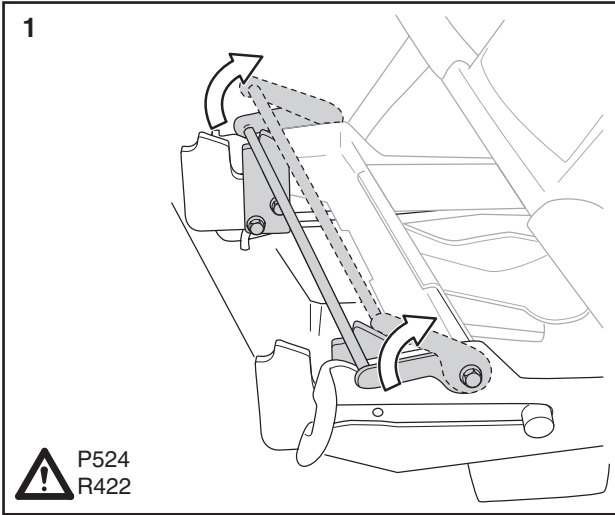




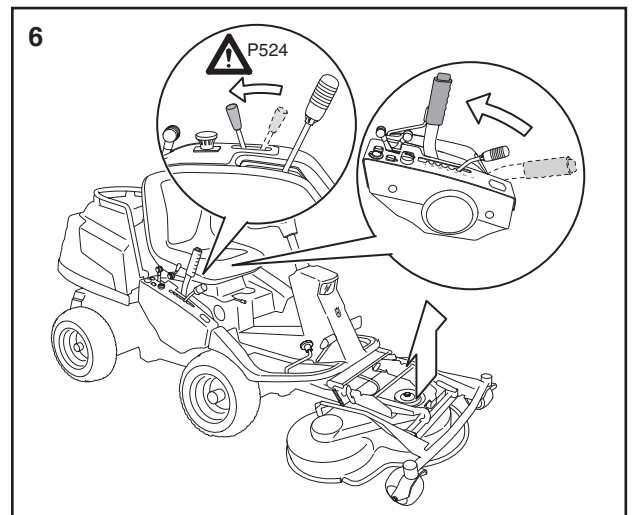
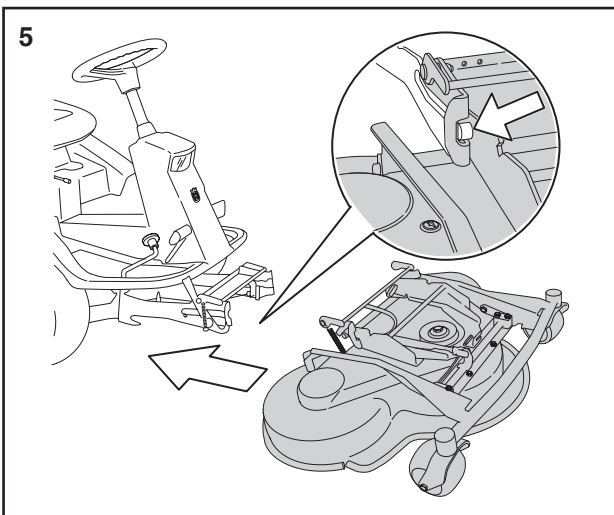
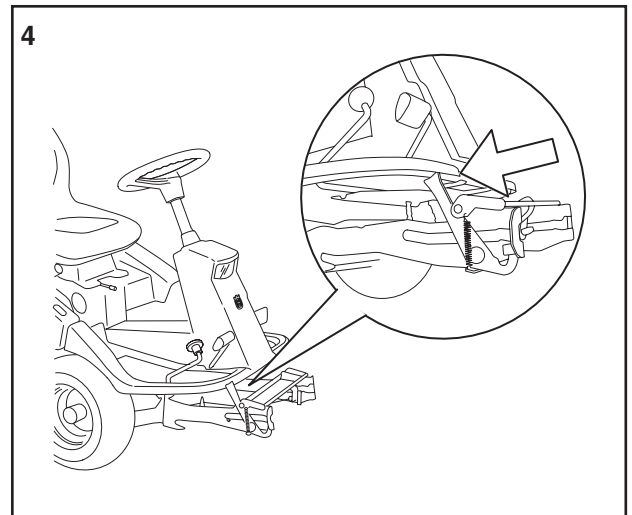
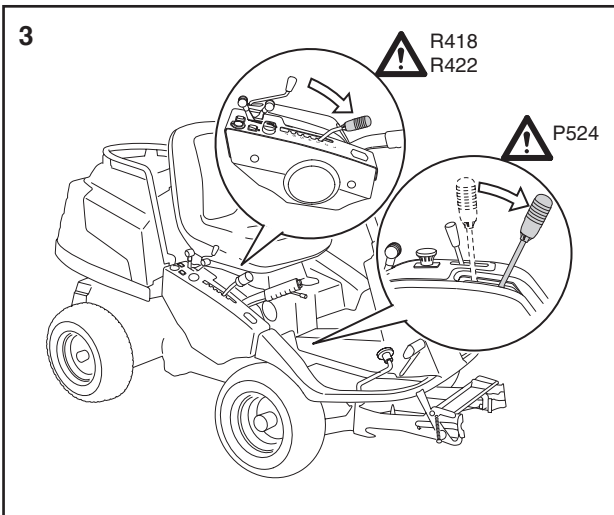
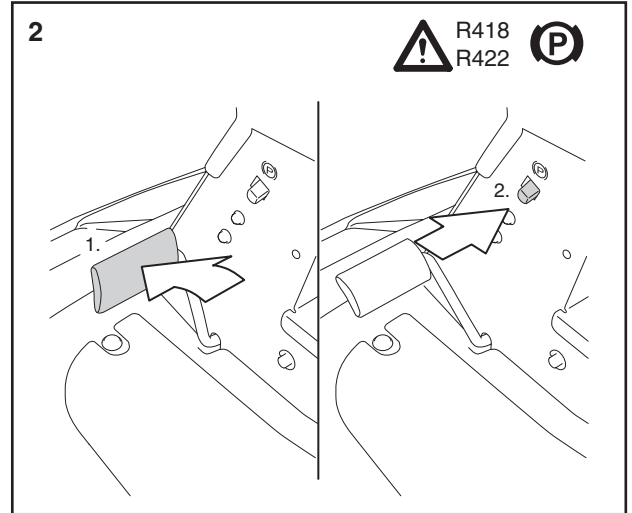
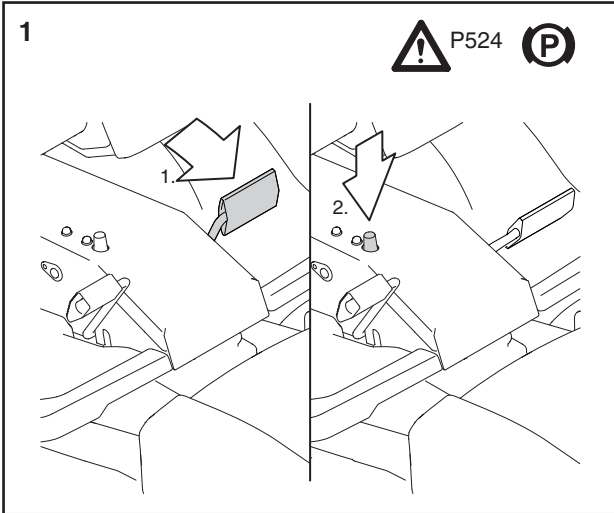


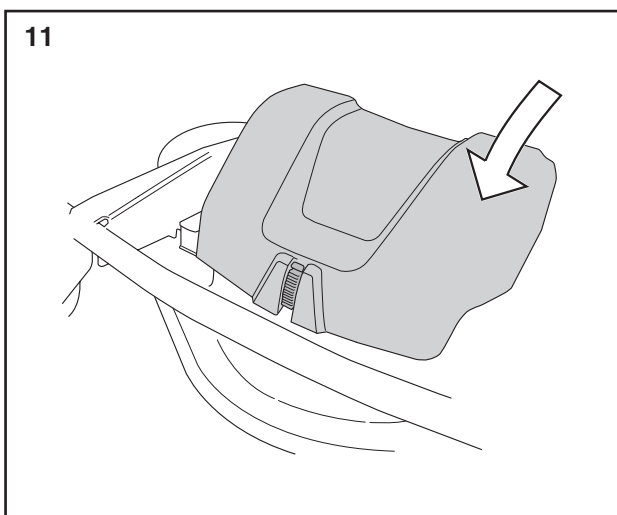
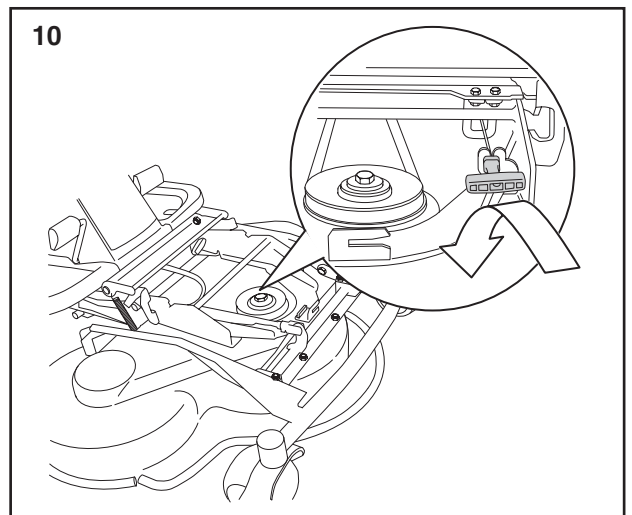
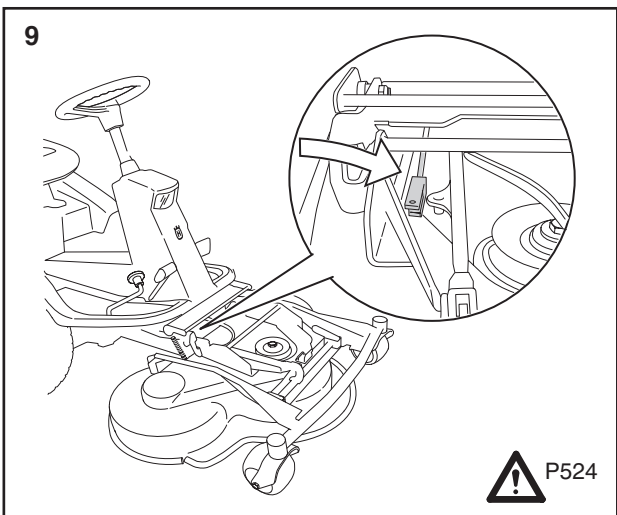
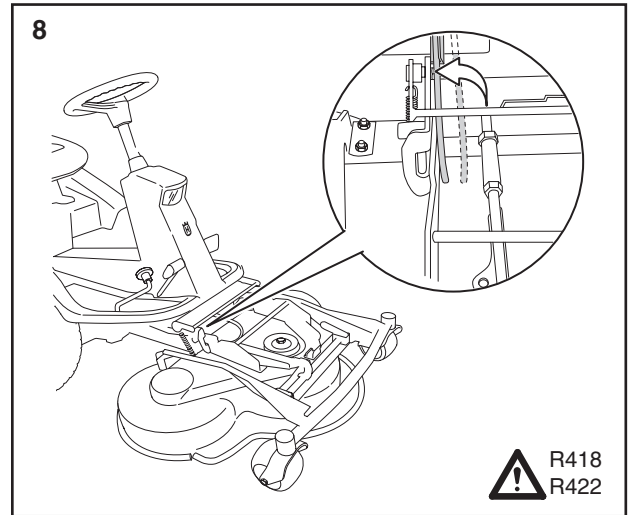
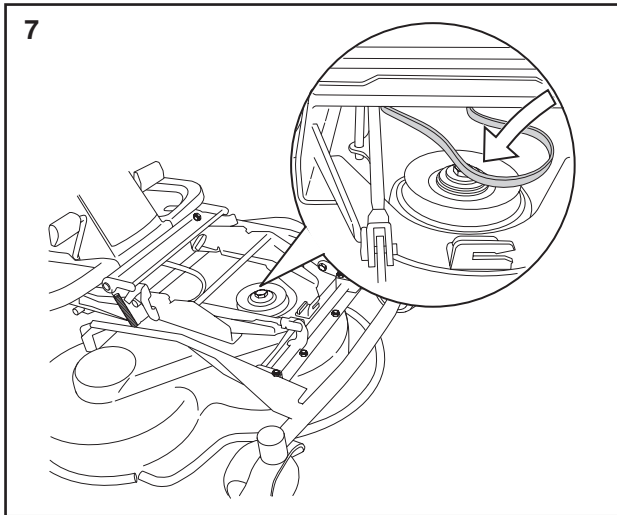


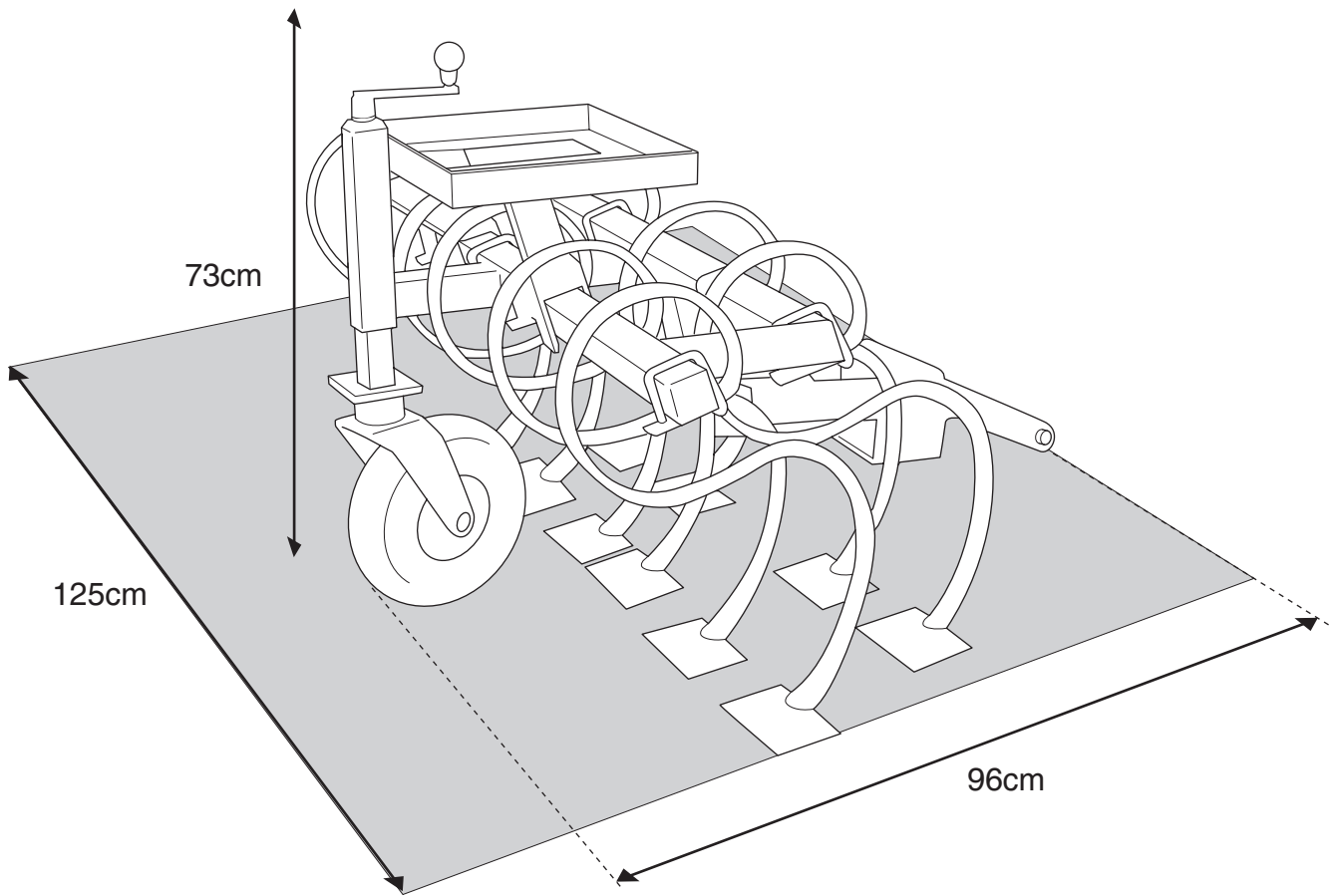














---

Linderöd den  
20 augusti 2015  
Ert datum

Vår beteckning/ref  
LSS 70  
Er beteckning/ref

---

## CERTIFICATE

Manufacturer: P. Olssons i Linderöd AB, Steglitsvägen 6, 290 34 Fjälkinge hereby certifies that the machine type 587 93 20-01 conforms to the Machine Directive maskindirektivet 89-392-EEC, 91-368-EEC, 93-44-EEC with special reference to annex 1 of the directive concerning essential health and requirements in relation to design and manufacture.

Fjälkinge 2015-01-15

---

Ola Olsson

**P. Olssons i Linderöd AB**  
**Steglitsvägen 6, 290 34 Fjälkinge**

**Telefon: +46(0)44-340 011**

**Mobil: +46(0)70-567 00 11**

**Fax: +46(0)44-340350**

**E-post: [ola.olsson@polssons.se](mailto:ola.olsson@polssons.se)**

**Hemsida: [www.polssons.se](http://www.polssons.se)**